
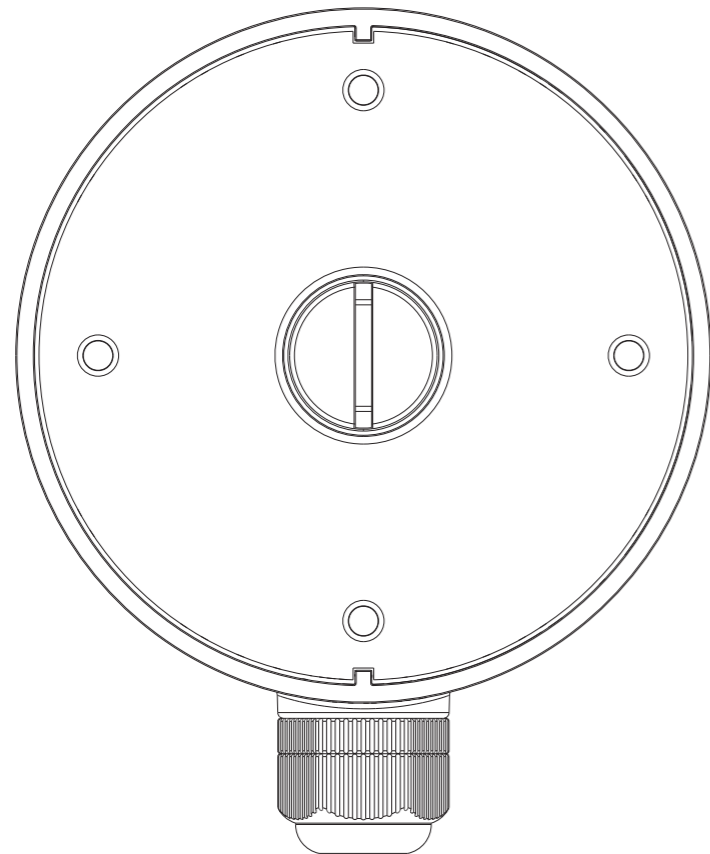
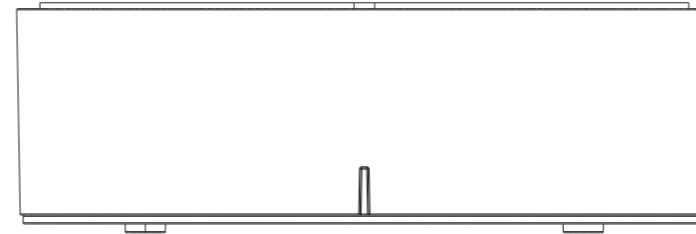
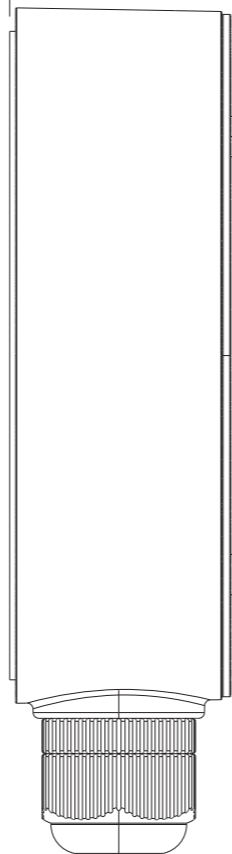


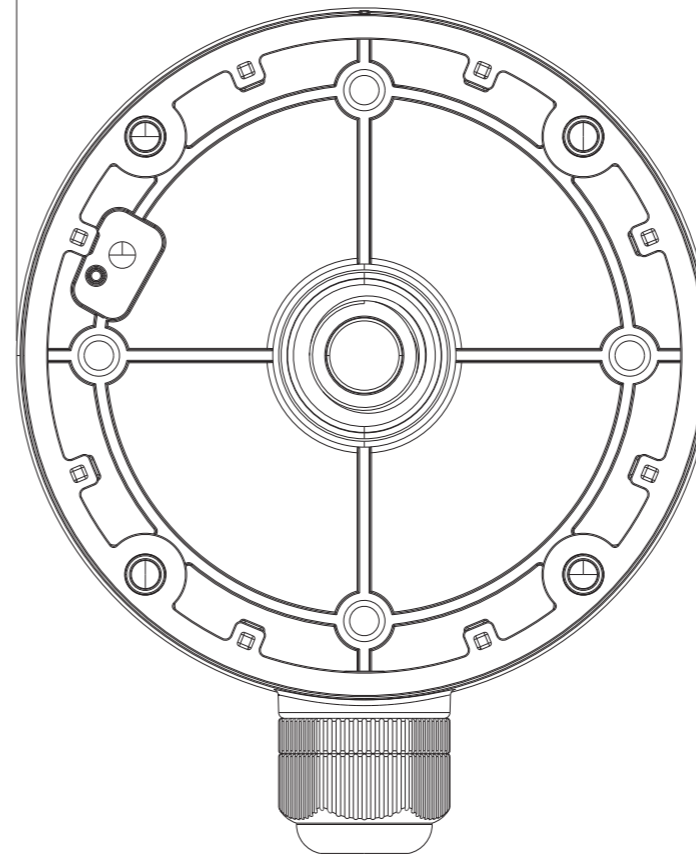
DATE	SCALE	MATERIAL	TYPE
09/21/2018		Aluminum	Fixed
	DESCRIPTION DWG-V8CM Ceiling mount bracket for fixed lens vandal dome 5MP analog camera		



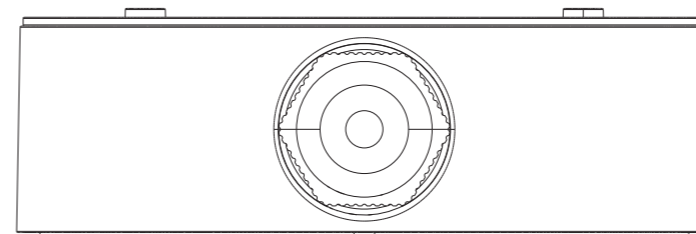
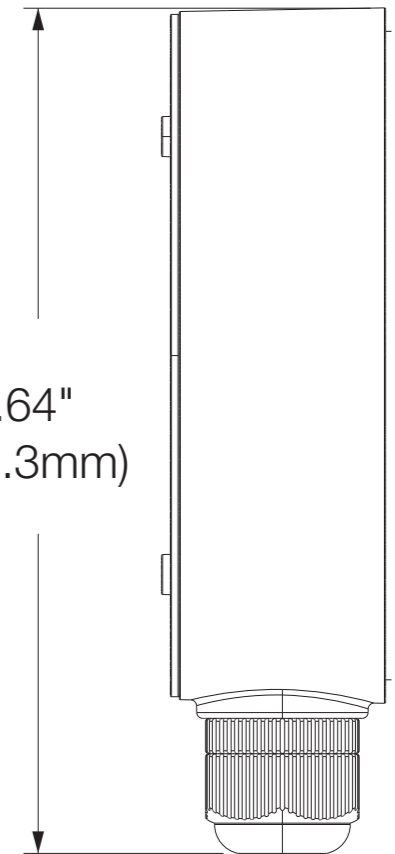
1.53"
(39mm)




4.64"
(117.9mm)



5.64"
(143.3mm)



DATE	SCALE	MATERIAL	TYPE
09/21/2018		Aluminum	Fixed
	DESCRIPTION DWG-V8JUNC Junction box for fixed lens vandal dome 5MP analog camera		